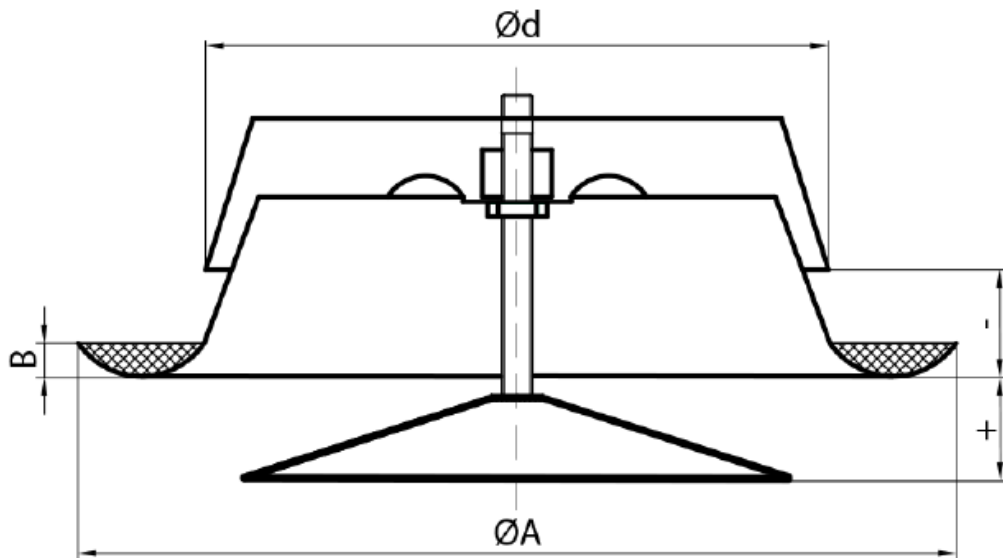




FRESH AIR SUPPLIES



- Available in RAL 9010 (9016 is available upon request).
- Allows for smooth adjustment of Air by rotating the centre disk.
- Designed for ceiling mounting onto ventilation ducts.
- Metal Air Valve for Supply only.



$\varnothing D_{nom}$ (mm)	$\varnothing A$ (mm)	B (mm)	Weight (kg)
80	115	12	0.15
100	137	12	0.19
125	164	12	0.31
150	202	12	0.35
160	212	12	0.47
200	248	12	0.66

Selection charts

