



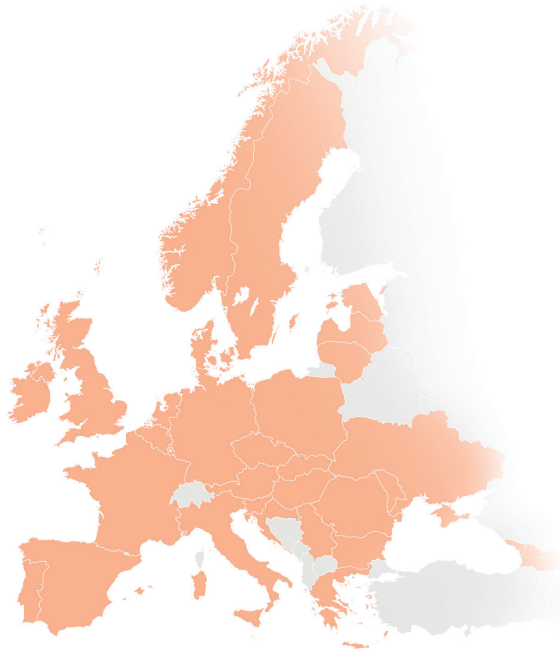
Success story in > 40 markets

ERGOVENT - a rapidly growing manufacturer of integrated ventilation solutions, based in Lithuania, Northern Europe and exporting to more than 40 countries worldwide.

We take great pride in some of the best ventilation diffusers in the industry, earning appreciation from interior designers, ventilation specialists, and end-customers.

Our premium quality products ensure functional aesthetic solutions for ventilation that organically blend into modern, stylish and trendy interiors.

We aim to become a leading brand in creating new design trends in HVAC market.



Scan QR code to find out more about us.

www.ergovent.com



reddot winner 2023

Hidden gypsum ventilation diffusers



INTERIOR EXCELLENCE

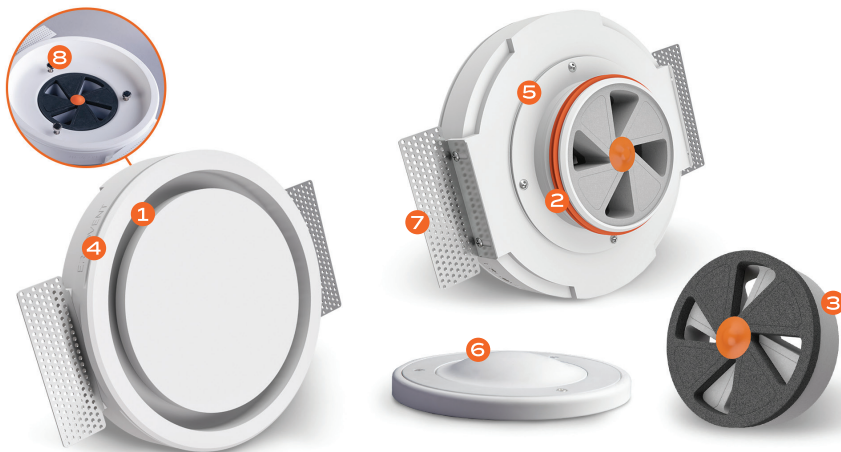
Hidden ventilation diffusers - the latest trend in home styling. ERGOVENT hidden diffusers are made from the environmentally friendly material - pure gypsum, intended for installation in plasterboard ceilings and walls. Painted the same paint as the ceilings or walls to ensure a seamless and stylish look. Thought out and perfected in every detail.

- ✓ Easy, fast, simple installation.
- ✓ Completely painted in the same color and paint as the ceilings/walls.
- ✓ Safely packed (never gets damaged during transportation).
- ✓ Dirt rings do not form around the diffusers.
- ✓ Suitable for single layer, double layer or custom thickness of plasterboard.
- ✓ Universal - suitable for both supply & exhaust.



FEATURES

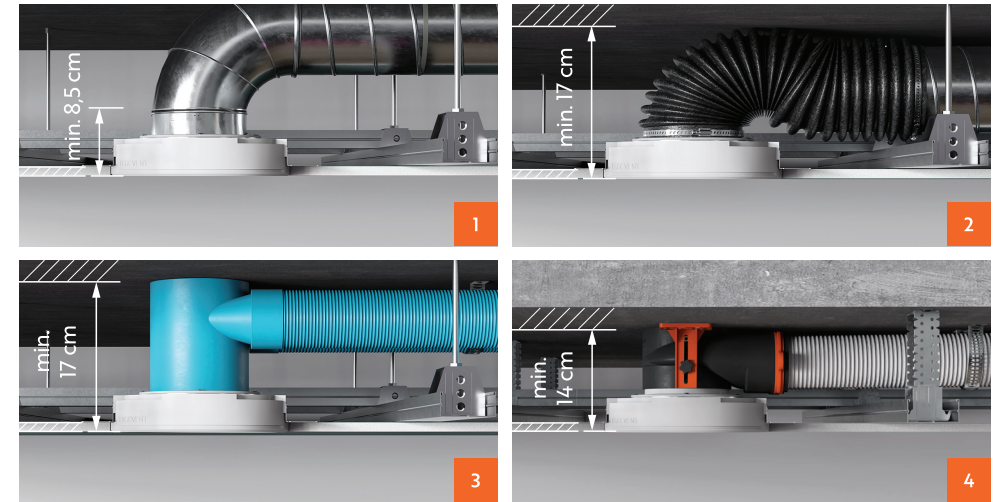
- 1 Pure high-quality gypsum frame.
- 2 Standard duct connections (100, 125, 150, 160 mm).
- 3 Balancing damper.
- 4 Groove for filler locking.
- 5 Anti-vibration gasket between the frame and the connector.
- 6 Aerodynamic convex shape to reduce air vortices.
- 7 Convenient fastening system for 1 or 2 layer plasterboard.
- 8 Reliable magnetic holders hold up to 10,75 kg.



METAL DUCTS SYSTEM: the diffusers can be connected directly to the air duct (1) or via a soft flexible duct (2).

FLEXIBLE DUCTS SYSTEM (75mm or 90mm in diameter):

- ✓ via standard plenum boxes (17 cm of space will be required) (3);
- ✓ 14 cm of space may be enough when using ERGOVENT low-profile plenum boxes (4).



INSTALLATION

- ✓ Installation of the ERGOVENT diffuser is clear, simple and quick, usually performed by plasterboard installer.
- ✓ Diffusers are suitable for all type air duct systems with standard connection diameters: 100mm, 125mm, 150mm, 160mm.

