

Technical Data Sheet

CODE 12453

VORTICE 230/9" ARI

Wall/window axial fans



Certifications

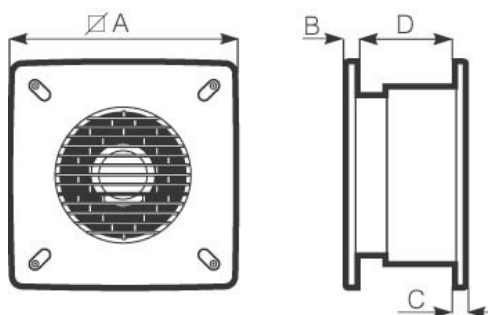


CB TEST CERTIFICATE

Technical and performance data

Frequency (Hz)	50-60	Voltage (V)	220-240
Inlet	Automatico	Weight (Kg)	3,88
Insulation class	II°	Max airflow - extract (l/s)	125
IP	X4	Max airflow - extract (m3/h)	450
Max absorbed current (A)	0,13	Max airflow - intake (l/s)	83,3
Max absorbed power (W)	26	Max airflow - intake (m3/h)	300
Max absorbed Power at 60 Hz (W)	26	Max airflow (m³/h)	450
Max ambient temperature for continuous operation (°C)	50	RPM	810
Max room temperature for continuous operation at 60 Hz (°C)	50	Rpm - exhaust	810
Ø Discharge hole (mm)	230	Rpm - supply	1080
		Sound pressure Lp [dB (A)] at 3 m	35,7

Dimensions



Ø hole through the wall	335/340
Size A (mm)	400
Size B (mm)	10
Size C (mm)	11
Size D (mm)	180

PER INFORMAZIONI / FOR INFORMATION

ITALY

Pre Sales:
prevendita@vortice-italy.com
After Sales:
postvendita@vortice-italy.com

UNITED KINGDOM & REP. OF

IRELAND
Sales Dept:
sales@vortice.ltd.uk
Technical Dept:
technical@vortice.ltd.uk

OTHER COUNTRIES

Sales Dept:
export@vortice-italy.com
After Sales:
after-sales@vortice-italy.com

Technical Data Sheet

CODE 12453

VORTICE 230/9" ARI

Wall/window axial fans



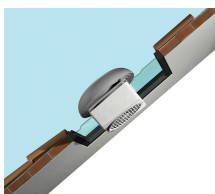
Description

- Model designed for installation recessed into wall.
- Reversibility function (intake or extraction).
- Automatic shutter: prevents the entry of cold air and bad smells when the appliance is switched off.
- Material: UV resistant ABS plastic (prevents ageing caused by exposure to sunlight)
- Nominal diameter 230 mm.
- Motor protected against thermal overload, with shaft turning in self-lubricating bushings, coupled to screw type thermoplastic impeller with wing profile blades.

Curves

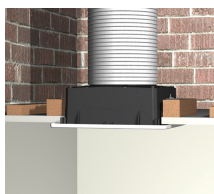
Curve_1

Accessories



KIT TE 230/9"
(TORRETТА)

Code 13002



KIT SO
(SOFFITTO)

Code 13012



KIT ML 230/9"
(MURO-LARGO)

Code 13016



KIT TC 230/9"
(TETTO CON
CONDOTTO)

Code 13028



CR5N

Code 12941



CR5

Code 12943



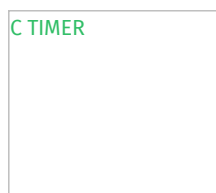
CREN

Code 12944



C PIR

Code 12998



C TIMER

Code 12999

ITALY

Pre Sales:

prevendita@vortice-italy.com

After Sales:

postvendita@vortice-italy.com

UNITED KINGDOM & REP. OF

IRELAND

Sales Dept:

sales@vortice.ltd.uk

Technical Dept:

technical@vortice.ltd.uk

OTHER COUNTRIES

Sales Dept:

export@vortice-italy.com

After Sales:

after-sales@vortice-italy.com