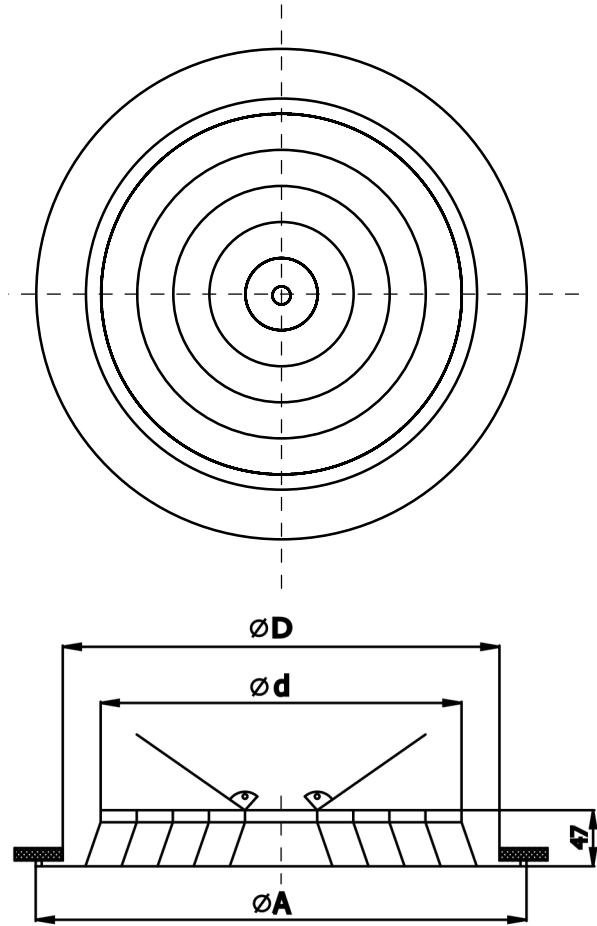


Round Ceiling Diffuser



Dimensions



Description

The NCD round intake diffusers are designed for low- and medium-pressure intake and exhaust ventilation and air-condition systems. They can operate with constant and changeable air flow. Air can be blown as well in vertical as in horizontal plane with temperature lower or higher than inside temperature.

The diffusers are light and easily assembled. It is possible to assemble them together with a distributor box. Using the PRO distributor box enables to obtain a uniform air flow as well as damping effect when insulated box is used.

Material: aluminium

Finishing: powder-painted according to RAL 9016

Example identification

Product code: **NCD** **aaa**

type _____
size _____

size	ØA [mm]	Ød [mm]	ØD [mm]
150	25	149	22
200	7	199	5
250	30	249	27
300	7	299	5
350	35	349	32

* typically mounted to the box PRO or RM-NCD

7	5
40	37
7	5
45	42
7	5

Round Ceiling Diffuser



**FRESH AIR
SUPPLIES**

Technical data

Table

W Cyadpajancois (m ³ /h)	SW Zielkość	150	200	250	300	350
100	Speed v (m/s)	2,75	1,2	0,77	0,54	0,4
	Ps (Pa)	7	3	2	2	2
	Tmin (m)	0,5	0,33	0,27	0,22	0,19
	Tmax (m)	0,92	0,7	0,61	0,55	0,51
	NC (dB(A))	<15	<15	<15	<15	<15
	Speed v (m/s)	4,12	1,79	1,16	0,81	0,6
150	Ps (Pa)	13	4	3	2	2
	Tmin (m)	0,75	0,49	0,4	0,33	0,29
	Tmax (m)	1,25	0,92	0,79	0,7	0,64
	NC (dB(A))	<15	<15	<15	<15	<15
	Speed v (m/s)	5,5	2,39	1,55	1,08	0,81
	Ps (Pa)	22	6	3	3	2
200	Tmin (m)	1	0,66	0,53	0,44	0,38
	Tmax (m)	1,59	1,13	0,96	0,85	0,77
	NC (dB(A))	<15	<15	<15	<15	<15
	Speed v (m/s)	6,87	2,99	1,94	1,35	1,01
	Ps (Pa)	33	8	4	3	3
	250	Tmin (m)	1,24	0,82	0,66	0,55
Tmax (m)		1,92	1,35	1,14	0,99	0,89
NC (dB(A))		32	18	<15	<15	<15
Ps (Pa)		8,25	3,59	2,32	1,61	1,21
Tmin (m)		47	10	5	4	3
300		Tmax (m)	1,49	0,99	0,79	0,66
	NC (dB(A))	2,25	1,57	1,32	1,14	1,02
	Speed v (m/s)	9,62	4,18	2,71	1,88	1,41
	Ps (Pa)	63	13	7	4	3
	Tmin (m)	1,74	1,15	0,93	0,77	0,67
	350	Tmax (m)	2,58	1,79	1,49	1,29
NC (dB(A))		41	28	18	<15	<15
Speed v (m/s)		10,99	4,78	3,1	2,15	1,61
Ps (Pa)		82	17	8	5	4
Tmin (m)		1,99	1,31	1,06	0,88	0,76
400		Tmax (m)	2,91	2,01	1,67	1,43
	NC (dB(A))	45	32	21	<15	<15
	Speed v (m/s)	12,37	5,38	3,49	2,42	1,81
	Ps (Pa)	103	21	10	6	4
	Tmin (m)	2,24	1,48	1,19	0,99	0,86
	450	Tmax (m)	3,24	2,23	1,84	1,58
NC (dB(A))		48	35	25	16	<15
Speed v (m/s)			5,98	3,87	2,69	2,02
Ps (Pa)			26	12	7	5
Tmin (m)			1,64	1,32	1,1	0,95
500		Tmax (m)		2,45	2,02	1,73
	NC (dB(A))		38	28	19	<15



Get in touch with the Fresh Air Supplies Team!



Call: +44 (0) 28 86752336



Email: sales@freshairsupplies.co.uk

IE: sales@freshairsupplies.ie